

Slideaway

Framed Single & Maximizer Door Gear

INSTALLATION INSTRUCTIONS

This garage door has been designed to be as easy as possible to use, service and automate when installed correctly. Please therefore take time to read these instructions fully before beginning any work.



CAUTION

IMPORTANT INFORMATION

- 1 This garage door is intended for domestic use only.
- 2 Garage doors are heavy and may have sharp edges. Wear protective gloves. Installation should not be undertaken alone. Care must be taken when handling.
- 3 Ensure the door is continuously supported before it is secured and avoid installing in windy conditions.
- 4 Do not attempt to install or adjust this door if you are unsure of any of the instructions below.

BEFORE COMMENCING WORK

1 Remove all wrapping

Before starting: remove all wrapping and check door unit has been supplied with correct parts. Door/Frame assembly has all necessary items attached to rear of door. Remove lock/fixing blister packs and check that parts supplied correspond with packing slips.

2 Check headroom

There must be a minimum of 42mm headroom above lower face of lintel. This must reach back into the garage for at least 1875mm.

3 Tools

All the initial fitting work is done from inside the garage, so all tools and parts should be to hand there before door is placed in opening.

4 Check opening size

Before fitting door unit, check size and squareness of brickwork aperture.

NOTE A

No wall plugs are provided. It is the responsibility of the installer to provide and fit wall plugs suitable for the structure to which the door is to be fitted.

FITTING TO BRICKWORK



Dimensions of steel frames are: 136mm (5 3/8") greater than opening width, 68mm (2 11/16") greater than opening height, 60mm (2 3/8") deep all round.

You will need:

- 6mm & 10 mm flat bladed screwdriver
- No 2 & 3 posi-drive screwdriver
- 13mm A/F socket/spanner
- 7mm A/F socket/spanner
- 12mm A/F socket/spanner
- 10mm A/F socket/spanner
- Protective gloves
- Sharp knife or side cutters
- Tape measure
- Door props
- Masonry drill bit
- Hammer
- Grease
- Wedges (packing pieces)
- Engineer's pliers

Note to installer: Please ensure that this instruction sheet remains with the door for the owner's future reference.

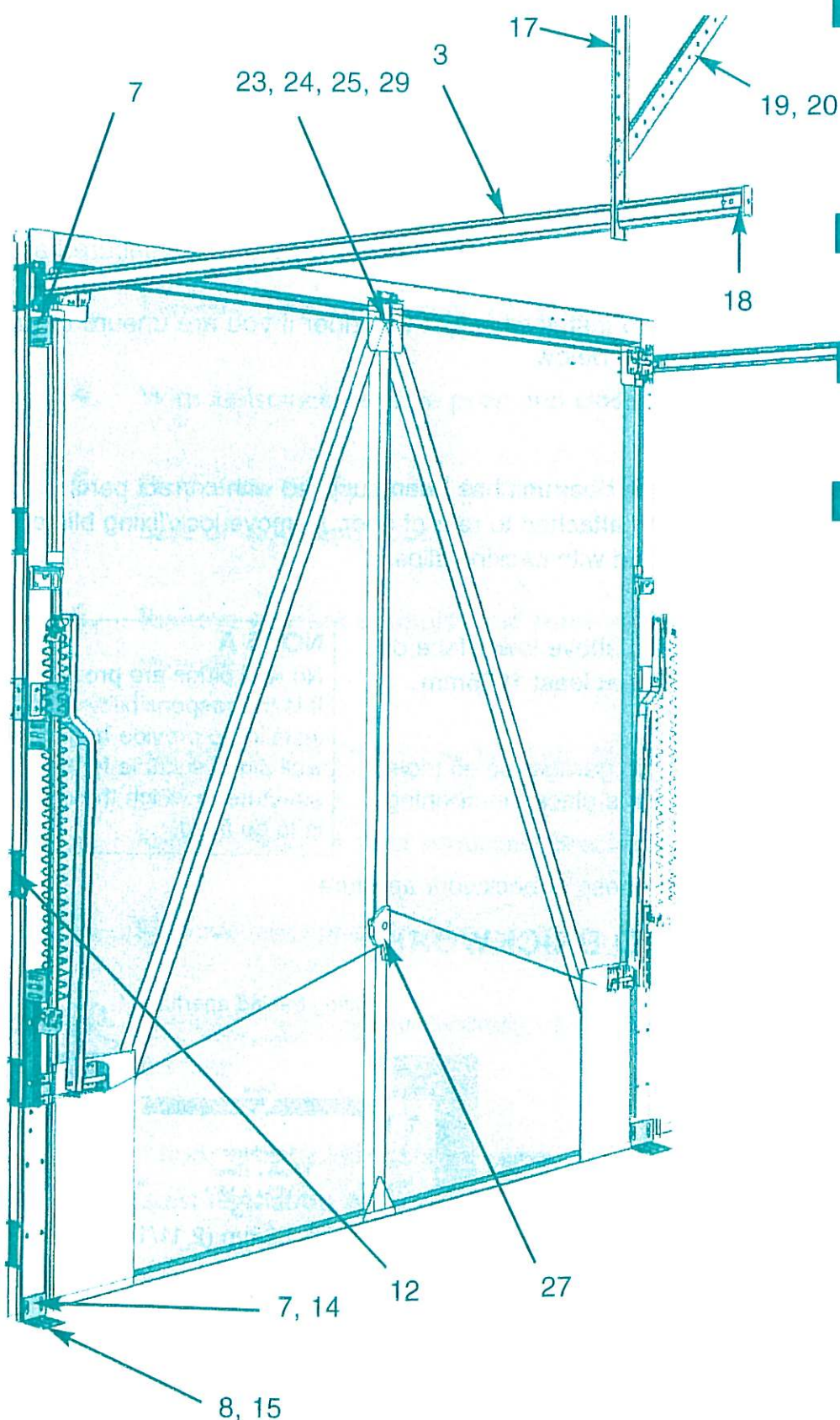
1

CAUTION ! Please ensure all tools and parts are **inside** the garage before the door is placed in the opening.

FITTING YOUR DOOR

Assembly diagram (maximizer door gear illustrated)

Numbers refer to installation notes



1 Prior to fitting door unit remove items, as listed below, and place inside garage for later use:-
 – Springs (from side arms)
 – Track Hangers and Braces (from side arms)

2 Place door unit centrally in aperture and prop securely in position.

3 Swing tracks up to a horizontal position and temporarily secure in place.

4 Select fixing positions and fit wall brackets (3 per side) to frame.

- For fitting frame within aperture, brackets should be fitted to back of frame as shown in Figure A using two No. 14 x 1" hex head self tapping screws per bracket.
- For fitting frame behind aperture brackets should be fitted to side of frame as shown in Figure B using two M6 x 20 mm hex head sem screws, and two M6 shake-proof washers per bracket.

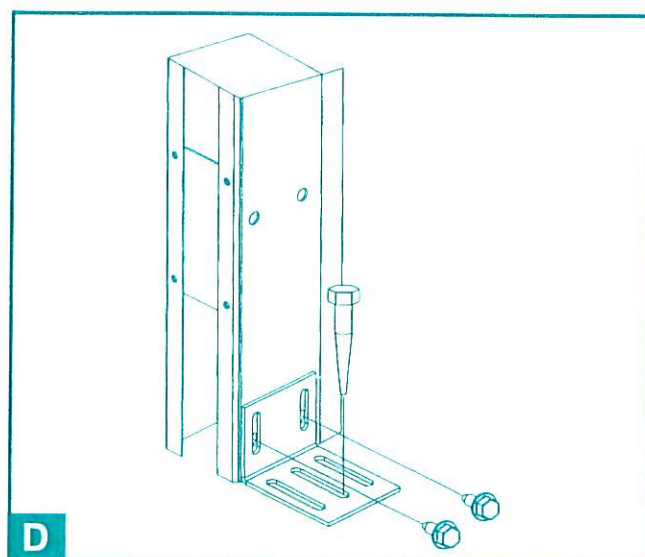
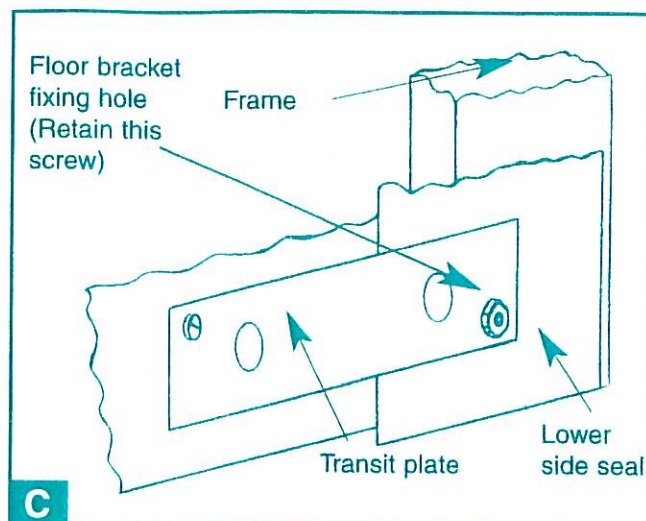
IMPORTANT – For fitting frame within aperture follow instructions 5 to 11. For fitting frame behind aperture move directly to instruction 12.

FITTING WITHIN APERTURE

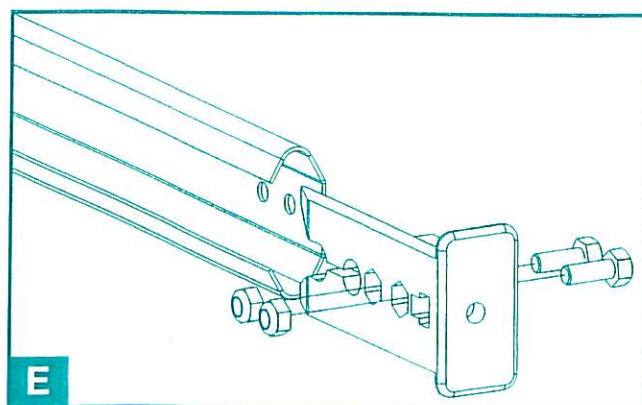
- 5** Fix top and middle wall fixing brackets only to wall (on both sides). Using M7 x 45mm coach screws supplied and with suitable wall plugs, two fixings required per bracket. (See Note A).
- 6** Remove transit screws from top side seals and bottom transit plates. Retain No. 14 x 1" Hex head screws holding transit plates to frame (See Figure C).
- 7** Fit floor brackets to frame using 2 off No. 14 x 1" Hex head self tapping screws. (See Figure D).
- 8** Fix floor brackets to floor. Using M7 x 45mm coach screws supplied and with suitable wall plugs (See Note A).
- 9** Release side latches and carefully open door slightly, prop open approximately 1" above floor level.
- 10** Fix bottom wall brackets to wall. Using M7 x 45mm coach screws supplied and with suitable wall plugs (See Note A).
- 11** Move directly to instruction No. 17.

FITTING BEHIND APERTURE

- 12** Fix wall fixing brackets to wall (3 per side). Using M7 x 45mm coach screws supplied and with suitable wall plugs, two fixings required per bracket. (See Note A).
- 13** Remove bottom transit plates, retain No. 14 x 1" Hex head self tapping screws holding transit plates to frame (See Figure C).
- 14** Fit floor brackets to frame using 2 off No. 14 x 1" Hex Head self tapping screws. (See Figure D).
- 15** Fix floor brackets to floor, Using M7 x 45mm coach screws supplied and with suitable wall plugs (See Note A).
- 16** Remove transit screws from top side seals.



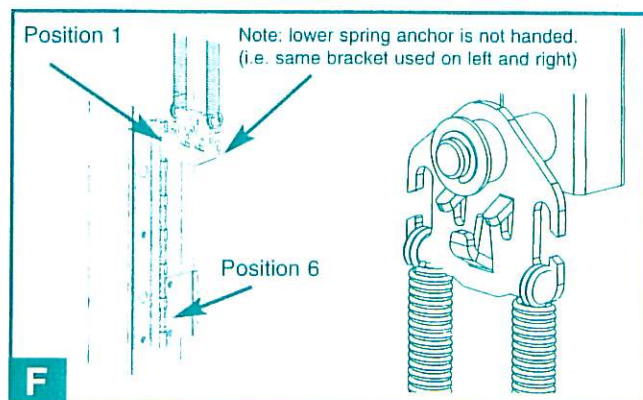
- 17** Ensure tracks are horizontal and slide track hangers over ends of tracks in orientation shown in main assembly diagram. Slide hangers to a convenient roof joist **within 200mm (8") from end of track** and fix each hanger to joist using one no. 12 x 1.1/2" self tapping screw only at this stage. For best results ensure tracks are hanging horizontally, square to the frame and parallel to each other. At this stage the tracks should be able to swing sideways, also ensure wheel is in contact with the bottom of the track.



- 18** Slide track end bungs into position in orientation shown (see Fig. E). Secure each end bung to track using two off M6 x 30mm hexagon head bolts and two M6 nyloc nuts ensuring nuts locate firmly into hexagonal recess in end bung
- 19** Fully open door and prop securely in position. With the door still open the tracks should be parallel. This can be checked by ensuring both roller wheels are fully engaged in the track end bungs. Bolt track braces to hangers using one M6 x 20mm hexagon head screw and one M6 nyloc nut per side. Fix each track brace to joist using one no. 12 x 1 1/2" self tapping screw. (See assembly diagram).

- 23** Fit the top latch assembly into the pre-drilled holes on the top centre door bracket using 4 off No. 10 x 1/2" self-tapping screws supplied (Figure G).
- 24** With the door closed, remove the park pin to release the latch pin (figure G). Align the catch bracket centrally over the latch pin and secure to pre pierced holes in frame lintel using 2 off No. 14 x 1" Hex head self tapping screws. Use adjustment on screw slots to ensure correct alignment.

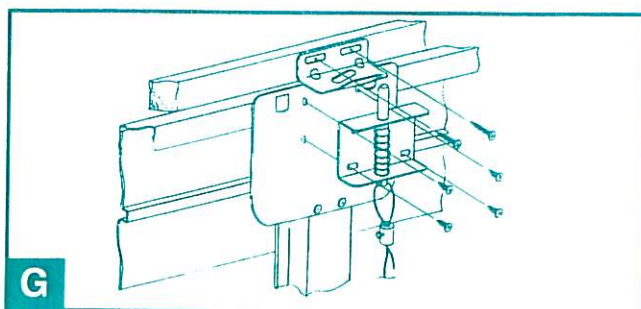
- 20** Lock each track hanger in position by fixing to joist using a second no. 12 x 1.1/2" self tapping screw.
- 21** Establish gear setting positions for door from label attached to back of door. **Note** setting 1 is top anchor position.



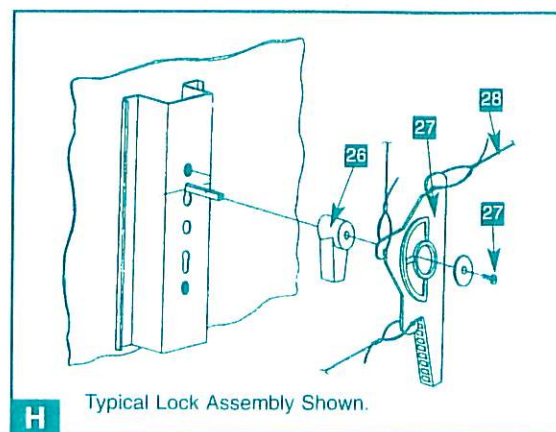
- 25** Open the door half way and fit lock following the instructions in the lock pack supplied with your door.
- 26** From front of door ensure that lock handle is turned fully anti-clockwise. From inside slide lock cam onto spindle in orientation shown

- 22** Still with the door in the open position and wearing eye protection fit lower spring anchors as shown and fit springs to spring anchors in orientation shown (See fig F). **Note Spring loops to be located on anchor bracket hooks facing outwards so that spring body is located in board of spring anchor brackets. When using centre hook, spring will require twisting 180 degrees.**

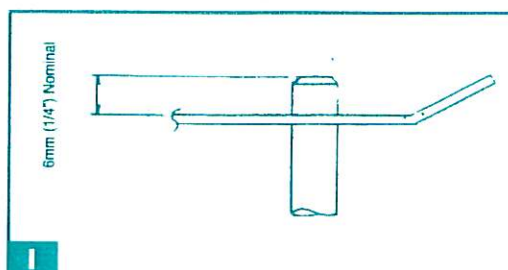
Always use the same number of springs on each side. For 2 springs use outer hooks, for 1 spring use centre hook, for 3 springs use all hooks. A minimum of 2 through to maximum of 3 springs per side maybe supplied depending upon door weight. Check door operation and re-tension if necessary. (See maintenance label on side seals for details).



NOTE – Some doors are supplied without the provision for a top latch to be fitted. In these instances the components outlined in instructions 23 & 24 will be surplus to requirements. If your door is of this type proceed to instruction 25.



- 27** Fit lock lever onto lock cam as shown and secure to lock spindle using one off No 10 x 1/2" self tapping screw and washer. (See Figure H)
- 28** Locate looped ends of all latch cables securely in lever slots and adjust for correct operation



- 29** **ENGAGEMENT NOTE** On adjustment of top latch, please ensure a nominal 6 mm (1/4") pin engagement through catch bracket (Figure I). Adjustment of all other latches should also be set to 6 mm latch overlap.
- 30** Check operation from inside garage to avoid being locked out

2 UPON COMPLETION

- 1** Check door operation to ensure door opens and closes satisfactorily. Adjust spring tension if necessary (see maintenance label on lower side seal).
- 2** If door is fitted behind the brickwork use the spare No 14 x 1" hexagon head self-tapping screws to secure the lower side seal in place using the location holes for the frame fixing brackets not used.
- 3** Check that lock and latches operate correctly, cut away flexible lower side seal locally where latch strikes the latch plate.
- 4** Ensure all fixings are securely tightened
- 5** Do not paint the spring or any moving parts.
- 6** Lubricate all moving parts/pivot points (refer to maintenance label for details) lubrication is essential ongoing requirement to ensure the continuing smooth operation of your door.
- 7** Ask your professional Garage Door Specialist about remote controlled electric operators.

TROUBLE SHOOTING

- **DOOR IS HEAVY TO OPEN:**
Cause: Spring tension set too low
Solution: Re-set spring tension as detailed on the door maintenance label.
- **DOOR OPENS TOO QUICKLY:**
Causes: Spring tension set too high.
Solution: Re-set spring tension as detailed on the door maintenance label.
- **DOOR DOES NOT DELATCH:**
Cause: Latch cables may have been set too long.
Solution: If you are not locked out of the garage at the time, then the cables should be set to allow nominal 6mm latch engagement with the latch plates. If you are locked out of the garage, call your installer/supplier for assistance.
- **DOOR HANDLE FAILS TO TURN:**
Probable Cause: A jammed lock barrel.
Solution: Unfortunately this can only be remedied by a service call, however, this is not usually chargeable during the warranty period. Please contact your supplier for details.
- **KEY FAILS TO TURN IN LOCK:**
Probable Cause: Door handle has not been turned to the fully closed position.
Solution: Return the handle to the fully closed (horizontal) position and try again. If the problem still persists, contact your supplier.
- **LOST KEYS:**
Solution: Contact your supplier. The lock barrel will need to be replaced, but the method for doing this will vary. If you can get into your garage, the problem can be easily solved by removing the handle assembly from the door and replacing the lock barrel with a new one. If you are locked out, contact your supplier.

POWER OPERATION

This door is suitable for power operation. In order to conform with current legislation only independently tested and certified operators may be fitted. A list of approved operators is contained on the Declaration of Incorporation supplied with your door.

DISMANTLING INSTRUCTIONS

THESE INSTRUCTIONS MUST BE FOLLOWED CAREFULLY

GARAGE DOORS ARE HEAVY AND AWKWARD TO HANDLE. ENSURE ASSISTANCE IS AVAILABLE AND THAT SAFETY GLOVES ARE WORN.

1. Fix all latches in the fully retracted position.
2. Open door and safely prop in the open position.
3. Remove springs from their hangers. (wear eye protection).
4. With assistance remove prop and close door slowly until fully closed.
5. Prop door in fully closed position and place packers beneath the door between base of door and floor.
6. Remove all track supports and remove track fixing screws from the frame and remove.
7. Remove fixings to main pivot brackets, door should now rest on packers.
8. Remove bottom door mounting brackets.
9. Remove main pivot blocks.
10. The door can now be carefully removed from the opening. Seek assistance in lifting.
11. If door is to be disposed of please do so in a responsible manner in line with the latest legislation applicable at the time.

**In the event of difficulty please contact your local Garage Door Specialist or call our Garage Door Helpline.
See main CE label for details**